

# 362XL

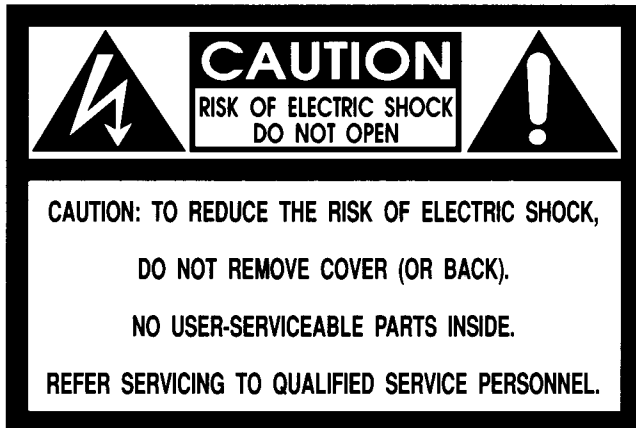
SONIC MAXIMIZER

## *User Guide and Reference Manual*



**BBE**<sup>®</sup>  
**Sound Inc.**

# Important Safeguards



## WARNING

To prevent fire or shock hazard, do not expose the unit to rain or moisture.

**ATTENTION: RISQUE DE CHOC ELECTRIC- NE PAS OUVRIIR.**



The lightning flash with arrowhead symbol, within an equilateral triangle, is intended to alert the user to the presence of uninsulated "dangerous voltage" within the product's enclosure that may be of sufficient magnitude to constitute a risk of electric shock to persons.



The exclamation point, within a equilateral triangle is intended to alert the user to the presence of important operating and maintenance (servicing) instructions in the literature accompanying the appliance.

---

**For your protection, please read these safety instructions completely before operating the appliance, and keep this manual for future reference.**

**Carefully observe all warnings, precautions and instructions on the appliance and described in the operating instructions supplied with the appliance.**

## INSTALLATION

**Water and Moisture** - Do not install the appliance near water: for example, near a bathtub, washbowl, kitchen sink, laundry tub, in a wet basement, or near a swimming pool.

**Heat** - Do not install the appliance near sources of heat such as radiators, heat registers, stoves, or other appliances that produce heat.

**Ventilation** - Situate the product so its location or position does not interfere with its proper ventilation. For example, you should not place the product on a bed, sofa, rug, or similar surface that might block the vent openings, or placed in a built-in installation, such as a bookcase or cabinet that might impede the flow of air through the ventilation openings.

**Wall or Ceiling Mounting** - If your appliance can be mounted to a wall or ceiling, mount it only as recommended.

## USE

**Power Source** - Connect the appliance to a power supply only of the type described in the operating instructions or as marked on the appliance.

**Grounding or Polarization** - Do not defeat the grounding or polarization feature of the AC power cord. If your AC receptacle will not accept the power cord plug, contact your electrician to install a proper AC receptacle.

**AC Receptacle** - Check to make sure that the AC receptacle holds the power cord plug firmly and securely. If the power cord plug is loose, contact your electrician to replace the defective and unsafe AC

**Power-Cord Protection** - Route the power cord so that it is not likely to be walked on or pinched by having objects placed on it, paying particular attention to the plugs, receptacles, and the point where the cord exits from the appliance.

**When not in use** - Unplug the power cord of the appliance from the outlet when left unused for a long period of time. To disconnect the cord, pull it out by grasping the plug. Never pull the plug out by the cord.

**Foreign Objects** - Be careful that foreign objects and liquids do not enter the enclosure through openings.

## SERVICE

Unplug the appliance from the wall outlet and consult qualified service personnel when:

- the power cord or the plug has been damaged.
- a solid object or liquid has fallen into the cabinet.
- the appliance has been exposed to rain or moisture.
- the appliance does not appear to operate normally or exhibits a marked change in performance.
- the appliance has been dropped, or the enclosure damaged.

Do not attempt to service the appliance beyond that described in the operating instructions. For all other servicing, refer to qualified service personnel **only**.

## TABLE OF CONTENTS

Important Safeguards .....	i
BBE Process Explained .....	1
Product Description .....	2
Applications .....	2
Controls and Connections .....	3
Specifications .....	4
General Operation .....	4
Service /Warranty / Maintenance .....	5
Application Diagrams.....	6-10
Calibration Procedures .....	11
Schematic Diagrams.....	12-13

*Congratulations on your purchase of the BBE 362XL Sonic Maximizer—a two channel signal processor that will benefit any recording or sound reproduction system. You now own a very unique signal processing device with no equal in the audio world. Whether you purchased the BBE 362XL for your home studio, P.A., DJ system, or instrument rack, you will find the 362XL's rugged construction and careful electronic design a welcome addition to your sonic arsenal.*

*Thank you for your purchase, and for the trust that you've placed in BBE. We are committed to bringing you the finest products, with useful and unique features to serve your audio needs.*

### **The BBE Process—"What it Is"**

Loudspeakers have difficulty working with the electronic signals supplied by an amplifier. These difficulties cause such major phase and amplitude distortion that the sound reproduced by speaker differs significantly from the sound produced by the original source.

In the past, these problems proved unsolvable and were thus delegated to a position of secondary importance in audio system design. However, phase and amplitude integrity is essential to accurate sound reproduction. Research shows that the information which the listener translates into the recognizable characteristics of a live performance are intimately tied into complex time and amplitude relationships between the fundamental and harmonic components of a given musical note or sound. These relationships define a sound's "sound".

When these complex relationships pass through a speaker, the proper order is lost. The higher frequencies are delayed. A lower frequency may reach the listener's ear first or perhaps simultaneously with that of a higher frequency. In some cases, the fundamental components may be so time-shifted that they reach the listener's ear ahead of some or all of the harmonic components.

This change in the phase and amplitude relationship on the harmonic and fundamental frequencies is technically called "envelope distortion." The listener perceives this loss of sound integrity in the reproduced sound as "muddy" and "smeared." In the extreme, it can become difficult to tell the difference between musical instruments, for example, an oboe and a clarinet.

BBE Sound, Inc. conducted extensive studies of numerous speaker systems over a ten year period. With this knowledge, it became possible to identify the characteristics of an ideal speaker and to distill the corrections necessary to return the fundamental and harmonic frequency structures to their correct order. While there are differences among various speaker designs in the magnitude of their correction, the overall pattern of correction needed is remarkably consistent.

The BBE Process is so unique that 42 patents have been awarded by the U.S. Patent Office.

## **Product Description**

The BBE 362XL is a ganged stereo, single rack space device for use in +4dBu balanced line level applications. A single function button switches the BBE process on or off in both channels, which is useful for comparing the processed sound to the unprocessed sound. An LED next to the function button glows green when the BBE process is on and red when the process is off. The Lo Contour control is for adjusting the level of phase corrected low frequencies in the program material. The Process control is for adjusting the level of phase corrected high frequencies in the program material. The output is monitored by a clipping circuit which turns on a red LED when the output level is at 6dB below true clipping.

## **Things to Remember**

The BBE 362XL is designed to work with +4dBu line levels. This is suitable for professional mixers, P.A. consoles, recording studios, and nightclub sound systems. The BBE 362XL drives load impedances down to 600 Ohms and supplies a maximum output level of +16dBu. Plugging a guitar or other high impedance device directly into the BBE 362XL will not work properly as its input impedance is less than 50K ohms.

## **Set-Up**

The BBE 362XL is connected into the chain in series with the signal path the same way a graphic equalizer or limiter would be connected. The output of a mixer, pre-amp, or other sound source feeds the input of the BBE 362XL. Setting up the BBE 362XL as an echo send device like a digital reverb is not recommended as the processed effect is not fully realized when summed with the original source audio.

**WARNING!** To prevent possible speaker or amplifier damage, always power-up peripheral devices first, wait 10 seconds, and then turn on the power amplifier. Turn off power amplifier first, then power-down peripheral devices.

## **APPLICATIONS**

### **Music and P.A. Systems**

The BBE 362XL is a welcome addition to any live sound P.A. system because the BBE circuit dramatically improves the clarity and intelligibility of vocals and musical instruments. Night club and mobile DJ systems will also benefit greatly from the BBE Process, with more depth, detail and punch over the entire mix. The 362XL can be hooked up to any P.A. or DJ sound system exactly like an equalizer would. When using in conjunction with an equalizer, the 362XL should be added after the equalizer in the signal chain. In the event that the equalizer is being used for drastic tone alteration, then insert the 362XL before the equalizer in the signal chain. Placement either before or after an equalizer should have no negative effect on the 362XL unit or its processing ability, however most users find they prefer more modest use of their equalizers once the BBE 362XL has been added to their sound systems.

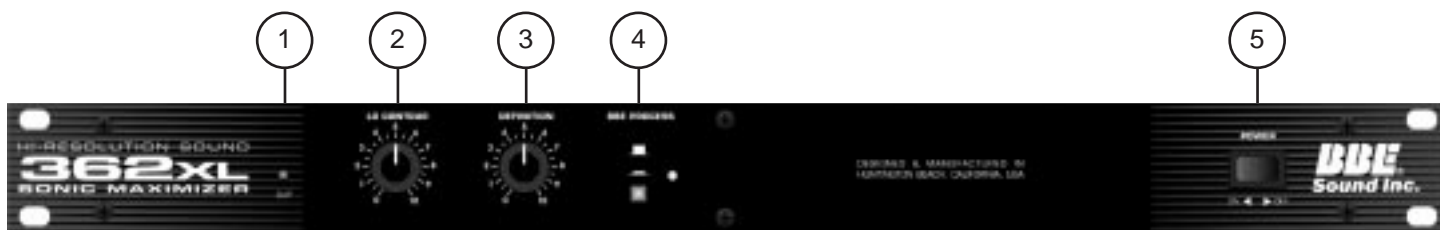
### **Instrument Racks**

The BBE 362XL will deliver surprisingly good results in guitar, bass and keyboard rack systems. Electric guitars have added "bite", "chunk" and improved definition. As Guitar Player magazine said, "BBE is the most cost effective improvement you can add to your rig". Acoustic guitars processed with the 362XL have a breathtakingly natural sparkle and presence. Bassists will delight in the BBE 362XL's ability to bring much more punch to the bottom end without muddying up the midrange. The 362XL is also great for keyboard rigs, with everything from the latest samples to a vintage Rhodes benefiting equally from the patented BBE process.

### **Recording Systems**

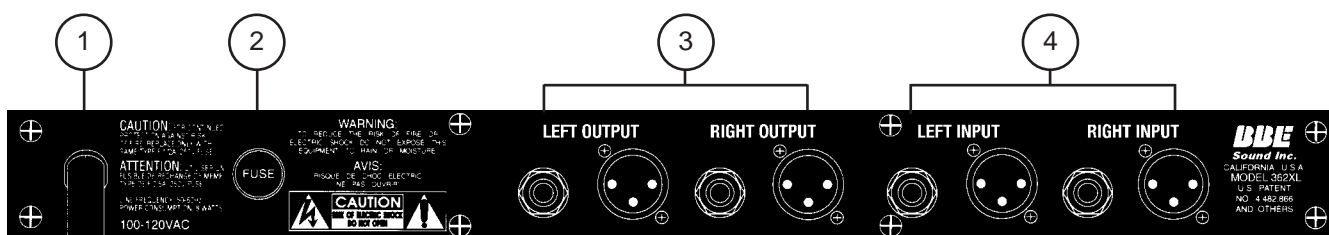
The BBE 362XL can be used as an effect on individual tracks or applied overall during mixdown. The BBE process works very well to liven up the final mix, which is why the BBE 362XL and 882 models are popular for use in both recreational and professional recording studios.

## FRONT PANEL CONTROLS



1. **CLIP LED:** Will illuminate at +14dBu, giving a 6dBu warning of the impending distortion at +16dBu, the actual clip point.
2. **LO CONTOUR:** Regulates the amount of phase corrected bass frequencies.
3. **PROCESS:** Regulates the amount of phase corrected treble frequencies.
4. **BBE FUNCTION:** This push button switch allows for quick comparison of processed with unprocessed sound. When the switch is pushed in, the process is on and the indicator LED is green. When the switch is out, the process is off and the indicator LED is red.
5. **POWER:** This switch controls primary power to the BBE 362XL.

## REAR PANEL CONNECTIONS



1. **AC POWER CORD:** Plugs into AC power receptacle. U.S. Model, 100-120Vac, 50/60Hz. All other models, 200-240 Vac, 50/60Hz.
2. **FUSE:** Turn cap on fuse holder counter-clockwise to remove fuse. (Note: For U.S. Model, replace with 250Vac, 1/2A Fastblow type fuse. For all other models, replace with 250Vac, .125A Fastblow type fuse.)
3. **OUTPUT:** The output of the BBE 362XL can be taken from the 1/4" stereo **TRS Phone Jack** or the **XLR Jack**. Both are balanced and the same point electronically. This allows both outputs to be used simultaneously, eliminating the need for a "Y" cord in the event multiple, balanced outputs are required. The recommended single load impedance is at least 10k Ohms. If both outputs are being used, a minimum of a 22k Ohm load per device is required. (The "load" is determined by the input impedance of the next subsequent component in the signal chain.) The maximum output is rated at +26dBu. Pin #2 is considered the hot or "+" signal. The output impedance of the BBE 362XL is 600 ohms. NOTE: Actual output level will vary due to the selected position of the BBE Process, and the actual input signal level. If both the XLR and Phone Jacks are being used, both must be either balanced or unbalanced. Otherwise a loss of signal level will occur.
4. **INPUT:** The input of the BBE 362XL is a balanced connection. Although it can be either a **TRS 1/4" stereo Phone Plug** or an **XLR Plug**, it is recommended that only one input source be used. Both jacks are the same point electronically, however, due to the input/output impedance characteristics of most audio devices, a loss of signal may occur and/or damage to a component if both inputs are utilized. Pin #2 is considered the hot or "+" signal. The input impedance of the BBE 362XL is 10k Ohms. The maximum signal level is +26dBu.

## Specifications

Frequency Response,  
    process mode:.....Program controlled  
    bypass mode: .....5Hz to 30kHz  
Signal to noise ratio (balanced): .....114dB Process in, 126dB Process out  
THD: .....less than 0.1% at -10dBu input, Process in/out  
Maximum Input:.....+18dBu (may vary due to control settings)  
Input Impedance: .....10k Ohms  
Nominal Input Level: .....-10dBu ~ +4dBu  
Output Impedance: .....600 Ohms  
Nominal Output Level: .....-10dBu ~ +4dBu  
Maximum Output Level: .....+20dBu unbalanced, +26dBu balanced

\* 0dBu = 0.775mVrms

Terminations/Connections (Rear Panel): ...XLR/1/4" TRS Phone Jacks  
Power Requirements:.....U.S.model: 100-120VAC, 50/60Hz, 10 WATTS  
    All other models: 200-240VAC, 50/60Hz, 10 WATTS  
Fuse: .....Replace with the same type FASTBLOW fuse  
    U.S. model: 250Vac, 1 /2A Fast blow type fuse.  
    All other models: 250Vac, .125A Fastblow type fuse  
Dimensions: ..... Standard 1U single rack space, 19"(W) x 5.75"(D) x 1.7"(H)  
Shipping Weight: .....4.5 lbs. (2.5kgs)

Note: Due to continuing product improvement, specifications and design are subject to change without notice.

## General Operation

**THE BBE 362XL IS A LINE LEVEL SIGNAL PROCESSOR AND IS TO BE CONNECTED PRIOR TO THE POWER AMP IN ANY AUDIO SYSTEM. SIGNIFICANT DAMAGE MAY BE INFLICTED TO THE BBE 362XL OR ANY SUBSEQUENT COMPONENT IN THE SYSTEM IN THE EVENT THE OUTPUT OF A POWER AMP IS CONNECTED DIRECTLY TO THE INPUT OF THE BBE 362XL.**

In order to reduce the risk of damage to any equipment, properly connect all cables and power cables before turning on any components in the system. Most important of all, **ALWAYS TURN ON THE POWER AMPLIFIER LAST TO AVOID DAMAGING THE SPEAKERS OR THE AMP.**

The BBE 362XL may be utilized in a number of different environments and its results may vary accordingly. Because both channels are completely independent from each other, only one channel of the BBE 362XL may be used, or each channel processing a different signal source. The effects loop is the ideal placement in the signal chain of a guitar application. In a pre-amp, keyboard or P.A. application, the BBE 362XL works best as the last component in the signal chain, just before the crossover or power amp. Important: In a P.A. application, never connect the BBE 362XL into the effects loop. The inherent phase shift of the BBE Process will cause phase cancellation resulting in a partial loss of signal.

## BBE and Equalization

The most common question asked of the BBE Sound, Inc. service department is: "Where does the BBE Processor connect in the signal chain, before or after the equalizer?" Many people find that the same amount of equalization is no longer needed, if at all, when a BBE processor is used. Additionally, the amount of equalization used will help determine the BBE 362XL's proper location in the signal chain: If the EQ is being set to give the room a flat response as determined by a spectrum analyzer, the BBE 362XL will work properly before or after the EQ. (Placing the BBE 362XL after the EQ is recommended.) If the EQ is being used for drastic tone alteration, the recommended placement would be before the EQ. Neither of these configurations will harm the BBE 362XL.

## **Service**

We recommend that if at all possible, a BBE 362XL which requires service be sent to our facility in Huntington Beach, California. We request that a "RETURN AUTHORIZATION" be issued by the dealer from whom you purchased the unit. If this is not possible, call BBE Sound, Inc. directly at (714) 897-6766, extension 116 to obtain a "RETURN AUTHORIZATION". Include a copy of the bill of sale with the unit when it is shipped to BBE Sound, Inc. so that the service can be expedited.

As the repair turnaround time is minimal, we request that the unit be sent to BBE Sound, Inc. We also need to add reliability data to our files so that future revision may be undertaken, if necessary, to improve the product. **If unit has been purchased outside the US, please contact your national distributor.**

## **Warranty**

Warranty registration of the unit to BBE Sound, Inc. is not necessary. It is strongly recommended that you retain a copy of the bill of sale for future reference.

**IT IS THE SOLE RESPONSIBILITY OF THE END USER TO PROVIDE THE BILL OF SALE OR OTHER MEANS OF PROOF OF PURCHASE TO VALIDATE THE WARRANTY IF WARRANTY SERVICE IS REQUESTED.**

The BBE 362XL is warranted against defects in material and workmanship for a period of five (5) years from date of purchase from BBE Sound Inc. or from an authorized dealer. During this period, we will repair units free of charge providing that they are shipped prepaid to BBE Sound, Inc., 5381 Production Drive, Huntington Beach, CA 92649. We will pay return UPS shipping charges within the USA. All charges related to non-UPS shipping, including customs clearance, will be billed. The warranty will be honored for the longer of either 90 days from the date of any service or the remainder of the original 5 Year factory warranty.

This warranty will be consider null and void by BBE Sound, Inc. if any of the following is found:

1. The equipment has been physically damaged.
2. The equipment shows signs of abuse.
3. The equipment has been electrically damaged by improper connection or attempted repair by the customer or a third party.
4. The equipment has been modified without authorization.
5. The bill of sales indicates that the purchase date of the equipment is not within the warranty period.

All non-warranty repairs are warranted for a period of 90 days from the date of service.

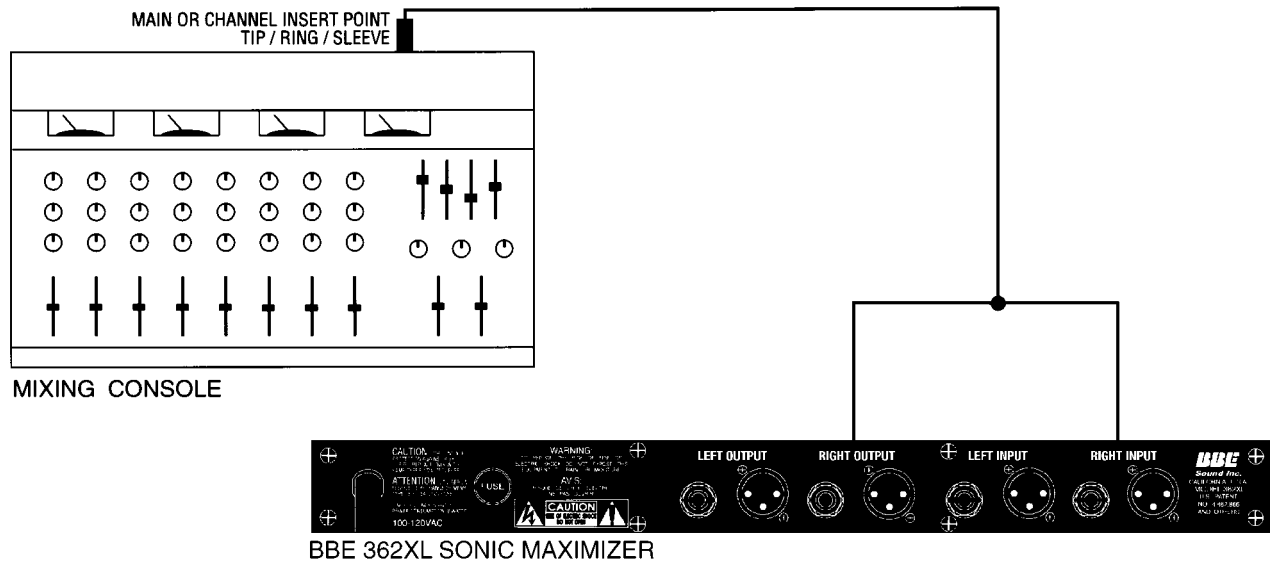
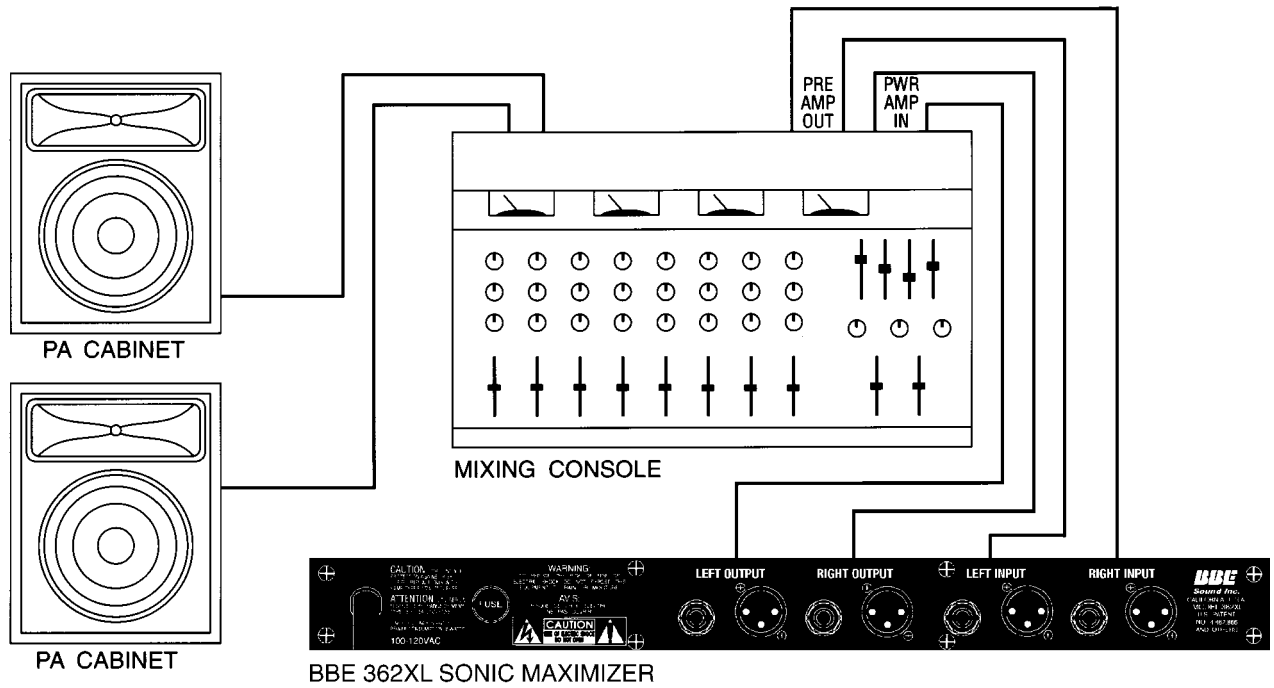
BBE Sound, Inc. is NOT LIABLE FOR CONSEQUENTIAL DAMAGES. Should the unit fail to operate for any reason, our sole obligation is to repair it as described above. **DO NOT RETURN ANY PRODUCT TO THE ABOVE ADDRESS WITHOUT INSTRUCTIONS AND AUTHORIZATION ISSUED BY THE ABOVE LOCATION.**

## **Maintenance**

Maintenance of the BBE 362XL is limited to proper cleaning of the unit with mild household cleaner such as Formula 409™ or Windex™. The chassis and cover are steel finished with a durable polyurethane paint, while the front panel is an anodized aluminum extrusion.

There are no user replaceable parts and the unit should not be opened for any reason unless you are a qualified technician. Calibration should be performed if parts are replaced or if a performance check-out indicates a problem with calibration. Long term use has shown that over the life of this unit there is little or no drift of the components in the BBE 362XL which would cause a change in calibration. A very conservative design philosophy has resulted in a piece of equipment which runs very cool and should give years of trouble-free service.

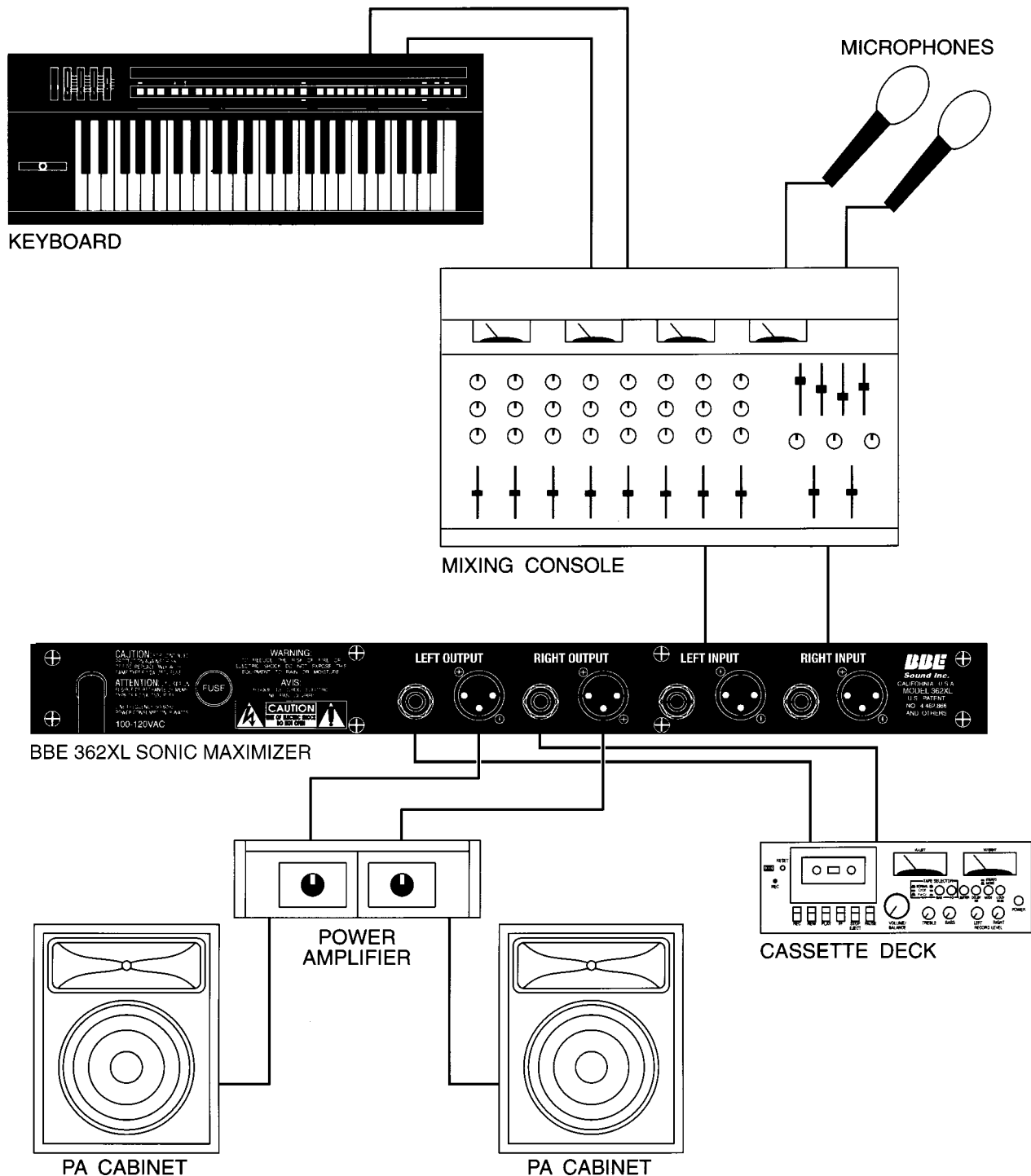
# LIVE APPLICATION: POWERED MIXER



There are a couple of ways to configure the BBE 362XL into a powered mixer. The ideal method would be into “Pre-Amp Out/Power Amp In” section of the console. If your console does not have this option, use the main or channel insert points.

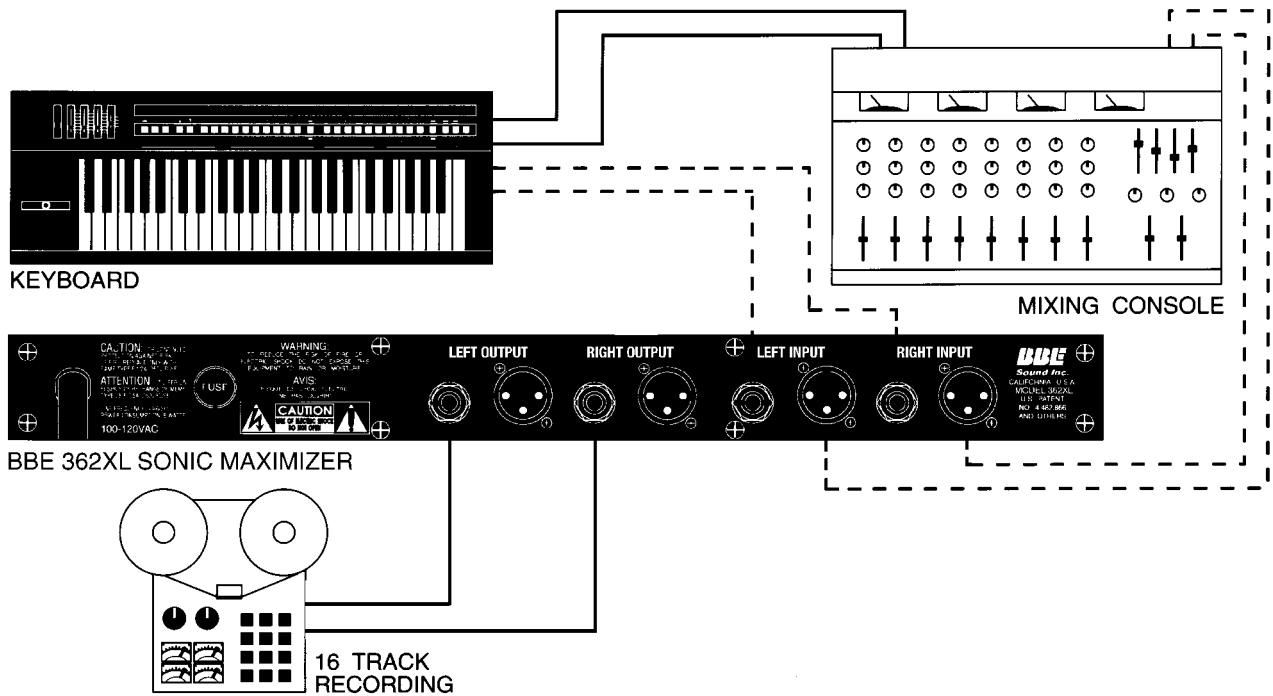


# LIVE APPLICATION: NON-POWERED MIXER



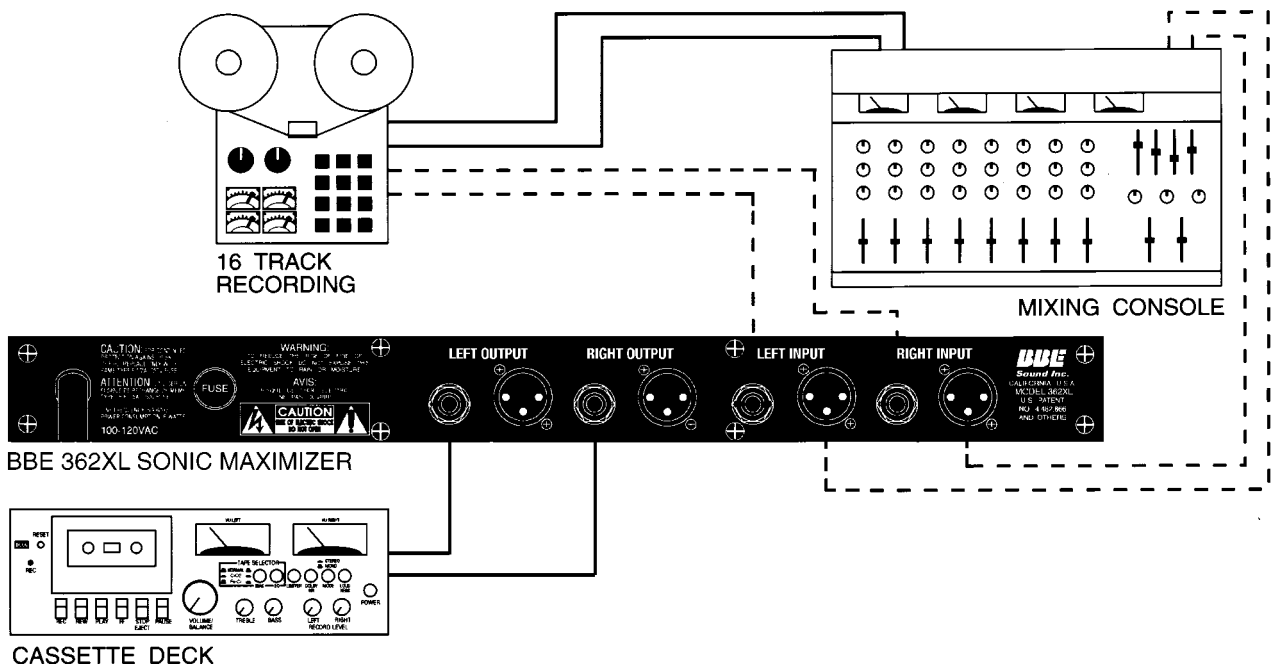
Connect the BBE 362XL to the output of the mixing console. The output of the BBE will drive either a crossover or a power amplifier directly.

# RECORDING



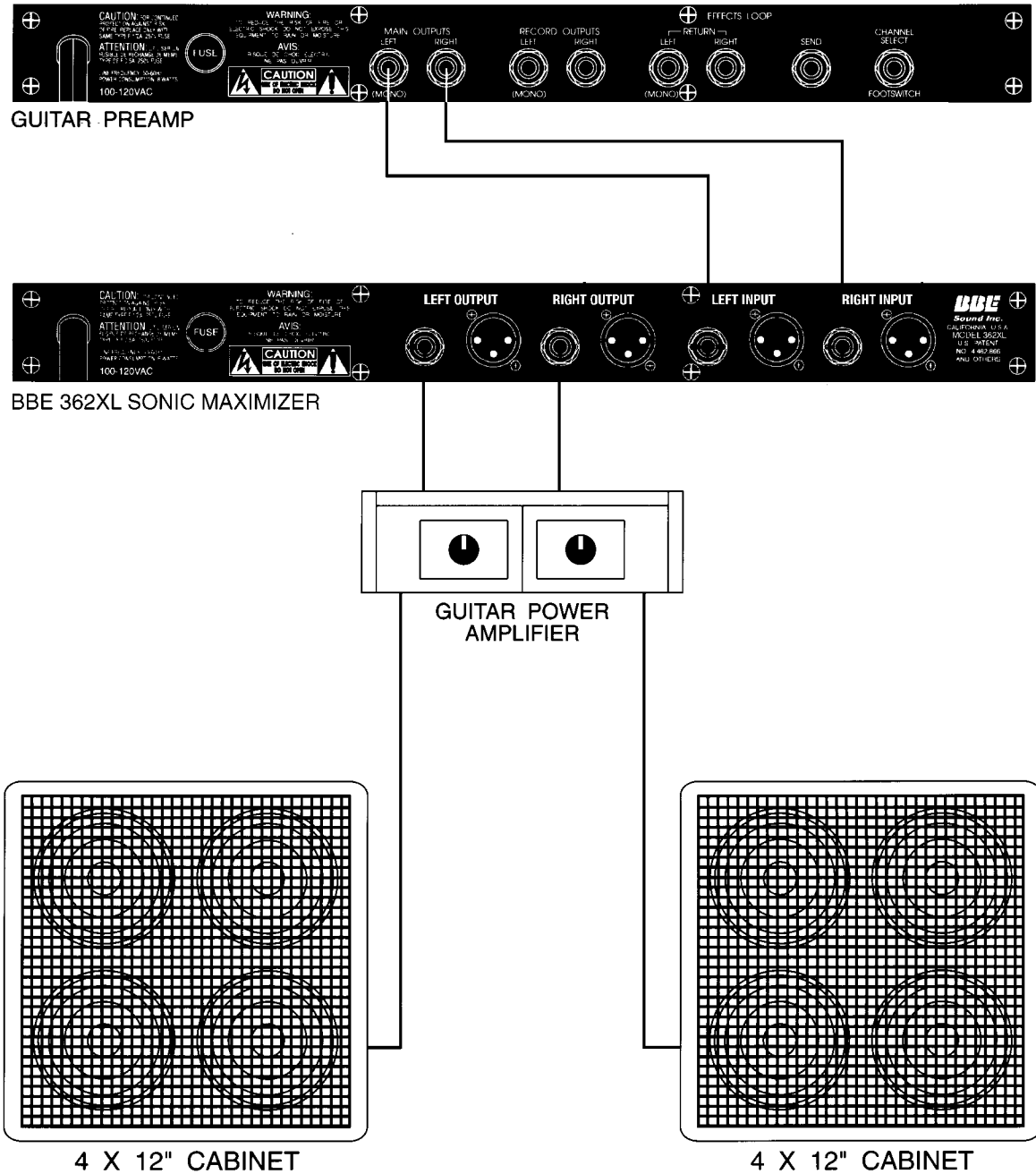
The BBE 362XL can be utilized in the recording studio on individual instruments or on groups of instruments to improve the sound quality.

# MASTERING OR DUBBING



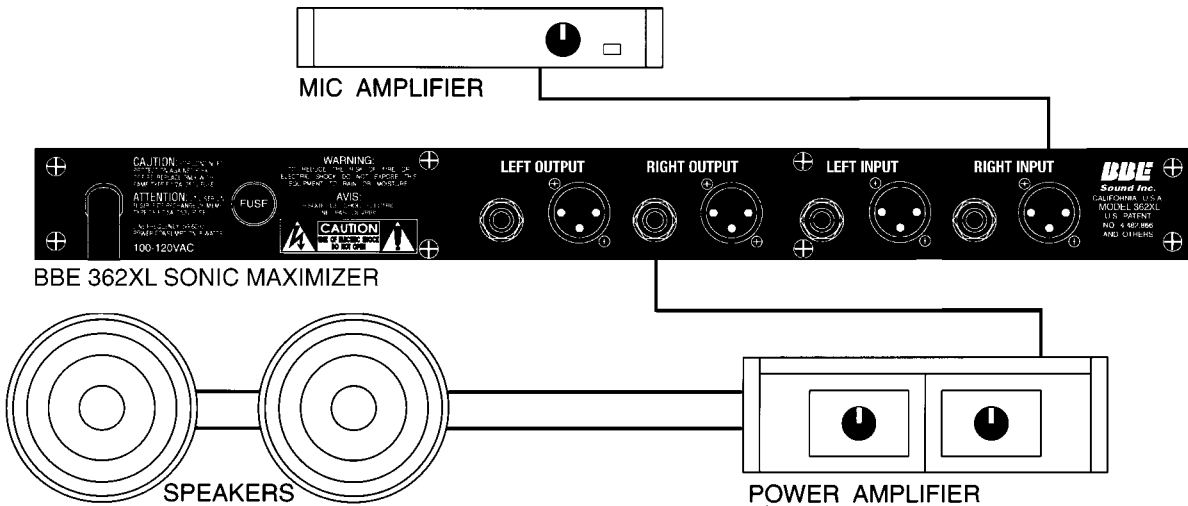
Use the BBE 362XL for mastering the recording. Even if the BBE Process has been used on individual tracks, an improvement on the total mix will be noticed.

# INDIVIDUAL INSTRUMENTS



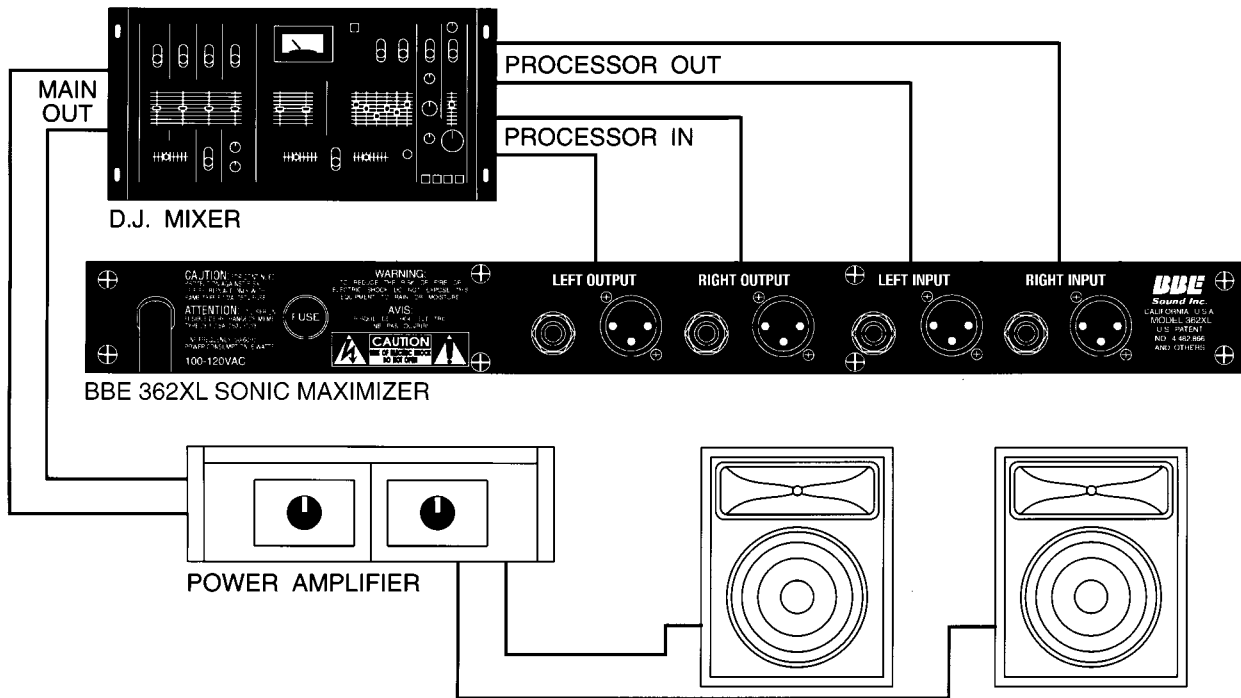
Use the BBE 362XL in the effects loop or the main output of a guitar preamp. For keyboards, the output of the sub-mixer will be the ideal location.

# SOUND CONTRACTORS



The BBE 362XL will accept the output level of most sound contractor type mixers.

## DJ APPLICATION



Connect the BBE 362XL into the processor loop of a pre-amplifier/mixer and hear the music come alive!

## **Calibration Procedure for the BBE 362XL (REVISION 1.1)**

**NOTE: THIS UNIT WAS TESTED AND CALIBRATED AT THE FACTORY.  
THIS PROCEDURE IS FOR QUALIFIED PERSONNEL ONLY.**

### *INITIAL SETTINGS:*

1. BBE Process control VR2 and Lo Contour control VR1, threshold control VR3, and release control VR4 to minimum (fully C.C.W.).
2. Power switch on and BBE function switch in, (BBE on position). Note: Since both channels are identical in calibration, only channel A will be outlined. Channel B will be in brackets [ ]. The signal will be input into the corresponding channel connector marked as 1/4" phone jack TRS. The output will be monitored at the corresponding channel marked as 1/4" phone jack TRS.

### *POWER SUPPLY TEST:*

1. With your DVM set to D.C. volts, measure the positive end of C35. You should read less than +26vdc
2. With your DVM set to D.C. volts, measure the negative end of C39. You should read less than -26vdc.
3. Measure the D.C. voltage on Jmp27. Reading should be +12vdc, (+/- 0.8vdc).
4. Measure the D.C. voltage on Jmp22. Reading should be -12vdc, (+/- 0.8vdc).

### *BBE PROCESS TEST:*

1. Input a 5khz signal ~ -10dBu into channel A [B] input.
2. Measure the channel A [B] output with a DVM set to A.C. volts.
3. With the Process control at minimum, (fully C.C.W.), DVM should read -10.5dBu, (+/- 0.5dBu).
4. With the Process control at maximum, (fully C.W.), DVM should read -1.5dBu, (+/- 0.5dBu).

### *LO CONTOUR TEST:*

1. Input a 50hz signal ~ -10dBu into channel A [B] input.
2. Measure the channel A [B] output with a DVM set to A.C. volts.
3. With the Lo Contour control at minimum, (fully C.C.W.), DVM should read -9.5dBu, (+/- 0.5dBu).
4. With the Lo Contour control at maximum, (fully C.W.), DVM should read -1.5dBu, (+/- 0.5dBu).

### *BYPASS TEST: (NOTE: Lo Contour and Process controls at maximum)*

1. Input a 500hz signal ~ -10dBu into channel A [B] input.
2. Measure the channel A [B] output with a DVM set to A.C. volts.
3. With the Process in, the DVM should read -12dBu (+/- 0.5dBu) and the process LED should illuminate green
4. With the Process out, the DVM should read -10.5dBu (+/- 0.5dBu) and the process LED should illuminate red.

### *CLIP INDICATOR TEST:*

1. Input a 500hz signal ~ +19dBu into the channel A [B] input.
2. Verify that the clip LED is on.
3. Change signal level to +16dBu and verify that the clip LED turns off.

Note: When both channels are driven, the clip indicator will turn on at +15dBu.

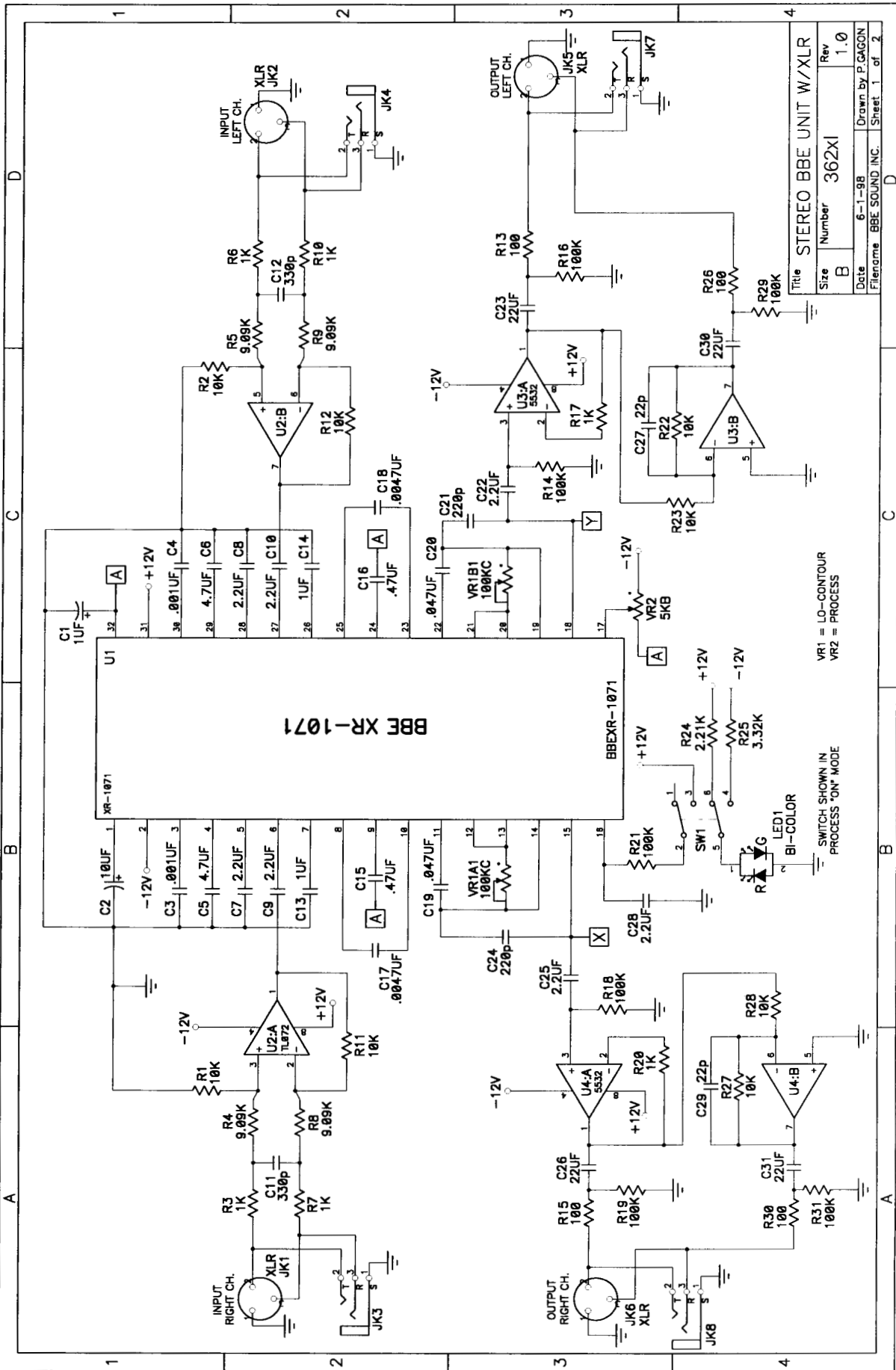
### *XLR BALANCED TEST:*

Note: Remove all 1/4" phone plugs from output jacks.

2. Input a 500hz signal ~ -10dBu into the channel A [B] input. Using your DVM, measure the A.C. voltage of channel A [B] output across pin 2 and pin 3 of the channel XLR jack. ( Note: connect the Black lead of the DVM to pin 3 and the Red lead of the DVM to pin 2).
3. Your DVM should read 4.0dBu (+/- 0.5dBu).

### *END OF TEST*

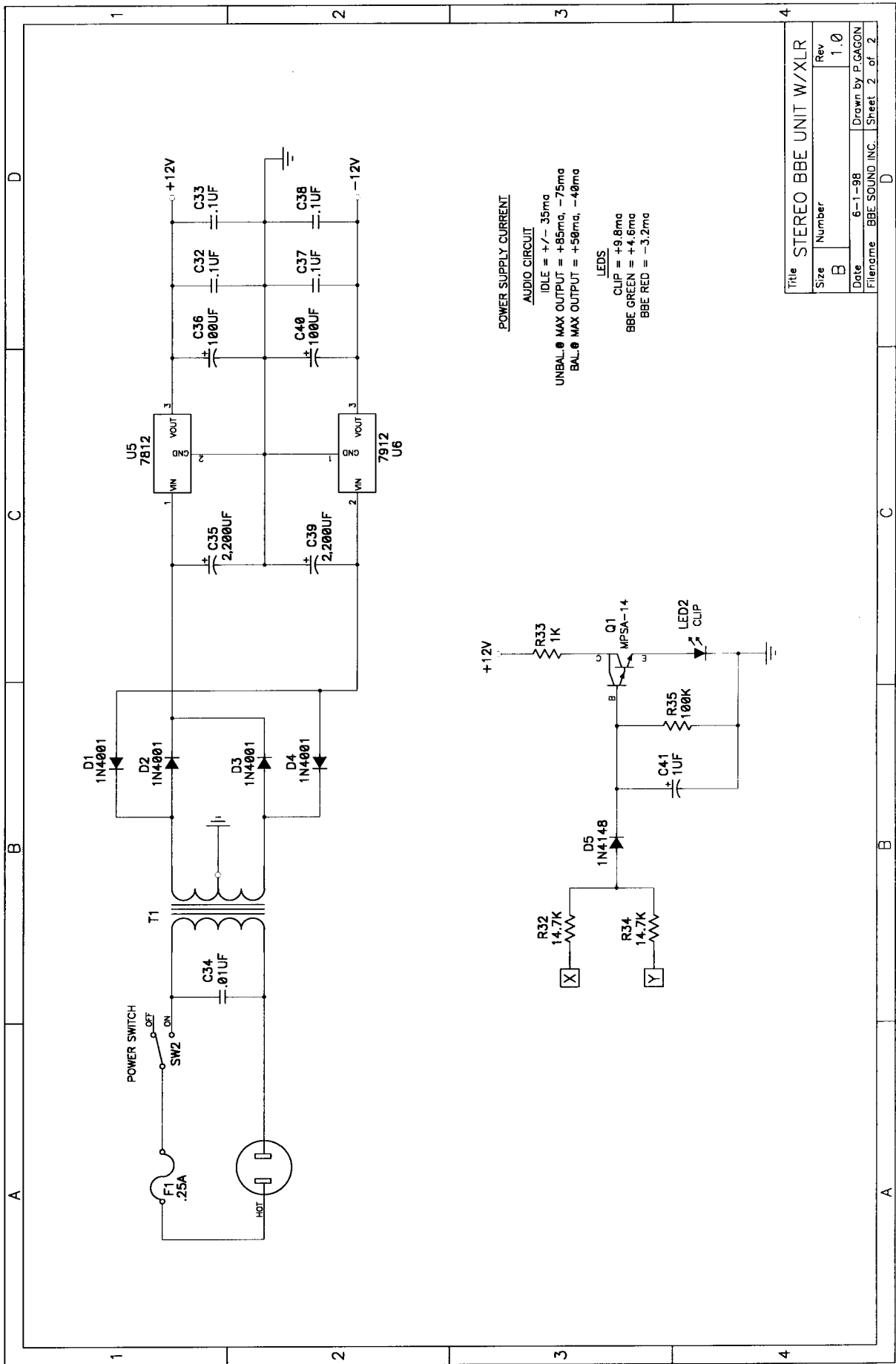
**5381 Production Drive  
Huntington Beach, CA 92649  
(714) 897-6766**



Title		STEREO BBE UNIT W/XLR	
Size	Number	362XI	Rev
Date	6-1-98		1.0
Filename	BBE SOUND, INC. Sheet 1 of 2		

VR1 = LO-CONTOUR  
VR2 = PROCESS

SWITCH SHOWN IN  
PROCESS 'ON' MODE



Title		STEREO BBE UNIT W/XLR	
Size	Number	Rev	
B		1.0	
Date	6-1-98	Drawn by P.CAGION	
Filename	BBE SOUND INC.	Sheet 2 of 2	



**BBE<sup>®</sup>**  
**Sound Inc.**

**5381 Production Drive**  
**Huntington Beach, CA 92649**  
**714-897-6766 • FAX 714-896-0736**

**[www.bbесound.com](http://www.bbесound.com)**

*covered by U.S. Patent 4,482,866 and other U.S. and foreign patents pending.*  
*BBE is the registered trademark of BBE Sound, Inc.*